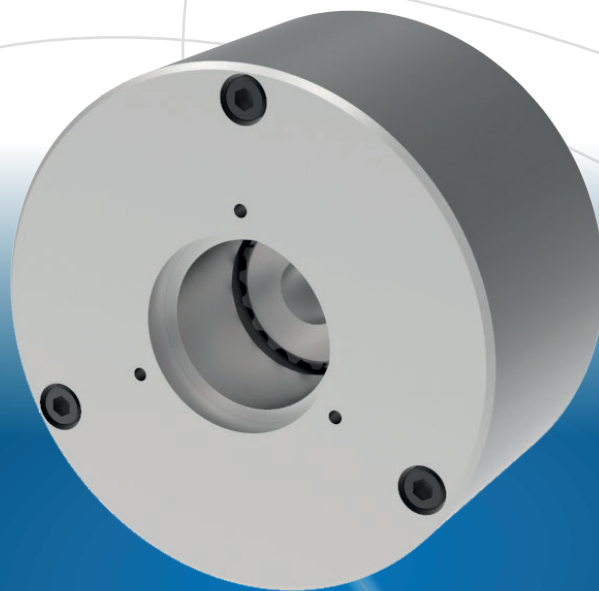




*your reliable partner*



**ROBA-stop<sup>®</sup>-M**  
**Servo Pitch Brake**

## Pitch brake with high performance density for demanding requirements

### ROBA-stop<sup>®</sup>-M for servomotors and regulated AC drives

mayr<sup>®</sup> power transmission has developed a new application-optimized version of the ROBA-stop<sup>®</sup>-M safety brakes especially for pitch drives, which place very high demands on performance density and temperatures. Suitable for applications with ambient temperatures up to +90 °C and temperatures at the mounting flange up to max. +120 °C.

During emergency stops, brakes can face high demands with regards to friction work. These brakes are perfectly designed for use in pitch servomotors as well as in controlled AC drives.

Due to their open construction, classic servo brakes are integrated in the motor housing, preferably on the A-bearing side of the motor. The ROBA-stop<sup>®</sup>-M safety brakes can be placed inside and outside the housing. Thanks to their enc-

losed construction, they already have IP54 protection in the standard version. With appropriate additional sealing, they even achieve protection class IP66. This also makes open, B-bearing side attachment possible.

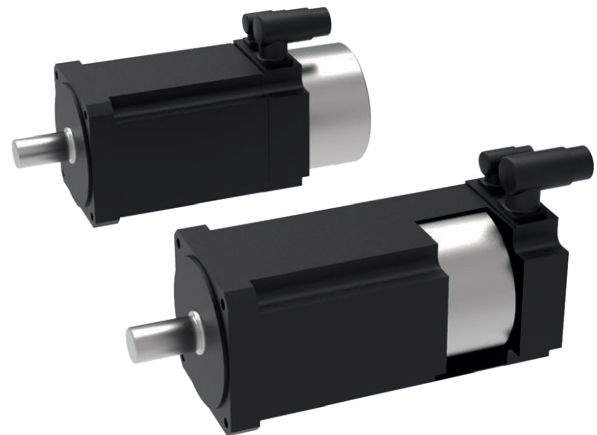
The performance-optimized ROBA-stop<sup>®</sup>-M pitch brakes don't require microswitches or non-contact sensors such as proximity switches to work and to monitor wear and tear. This task can be taken over by the ROBA<sup>®</sup>-brake-checker module, which continuously provides all information about the status of the brake without sensors by monitoring and evaluating coil current and coil voltage.

### High level of protection thanks to enclosed construction

Due to the enclosed construction of the application-optimized ROBA-stop<sup>®</sup>-M pitch brake, it can also easily be installed outside the motor housing, in contrast to servo brakes.

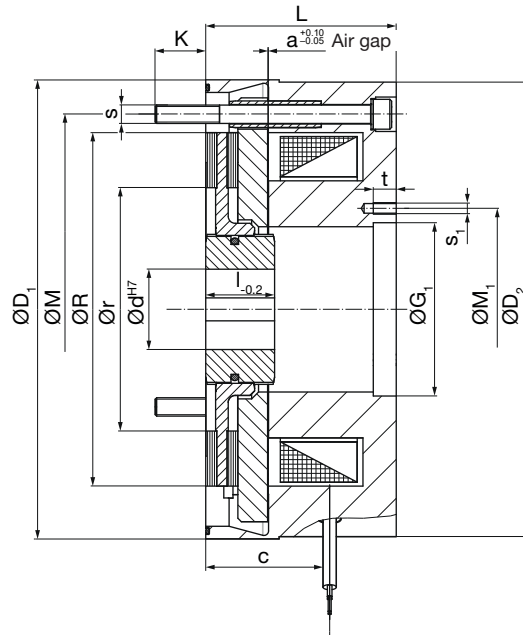
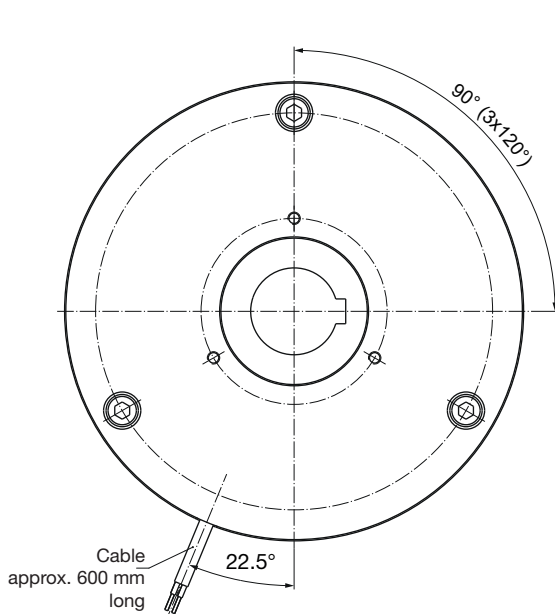
### Advantages of the ROBA-stop<sup>®</sup>-M pitch brake type 891.100.5

- High level of protection IP54 in standard or IP66 available on request
- High performance density
- Wide temperature range
- Versatile attachment options
- High permissible friction work for emergency stops



# ROBA-stop®-M pitch brake

## Type 891.100.5



Technical Data			Sizes		
			60	100	150
Braking torque <sup>1)</sup>	M <sub>N</sub>	[Nm]	150	250	370
Speed range		[rpm]	0 - 1500	0 - 1200	0 - 1000
Reduction of braking torque M <sub>N</sub> <sup>1)</sup>		[%]	-15	-20	-20
Speed range		[rpm]	1500 - 3000	1200 - 2400	1000 - 2000
Reduction of braking torque M <sub>N</sub> <sup>1)</sup>		[%]	-35	-35	-35
Speed range		[rpm]	3000 - n <sub>max</sub>	2400 - n <sub>max</sub>	2000 - n <sub>max</sub>
Maximum speed	n <sub>max</sub>	[rpm]	4000	3200	2500
Idle speed		[rpm]	7200	6200	5400
Electrical power	P <sub>N</sub>	[W]	73	88	96
Weight	m	[kg]	7.4	13.6	19.2
Maximum ambient temperature		[°C]		90	
Perm. friction work per braking action with n <sub>max</sub> and max. switching frequency 20 1/h	Q <sub>r.zul.</sub>	[Joule]	7200	14000	17000

Dim.	Size		
	60	100	150
a	0.25	0.3	0.3
c	50	54	59
d <sub>min</sub> <sup>H7</sup>	24	32	40
d <sub>max</sub> <sup>H7</sup>	35	45	45
D <sub>1</sub>	168 <sub>h7</sub>	200 <sub>h9</sub>	220 <sub>h9</sub>
D <sub>2</sub>	-	198	219
G <sub>1</sub> <sup>H7</sup>	60	75.5	82.5
K	11.5	17	15
L	78	83	96
l	30	30	35
M	145	170	196
M <sub>1</sub>	75	88	100
r	106	106	122
R	129.5	154	178
s	M8	M8	M8
s <sub>1</sub>	M5	M5	M6
t	10	10	10

1) Valid for temperatures of -40 °C to +60 °C:

For higher temperatures on the mounting flange, please consider the following braking torque reductions:

- >60 °C to 80 °C: 10 % reduction
- >80 °C to 100 °C: 20 % reduction
- >100 °C to 120 °C: 30 % reduction

For higher ambient temperatures >60 °C up to max. +90 °C, these braking torque reductions must also be observed

2) Braking torque tolerance = +40 % / -20 % (friction lining pairing conditioning necessary, see Operational Instructions B.8.1.\*)

Bores	Ød <sub>min</sub>		Ød <sub>max</sub>	
	Size	DIN 6885/1	DIN 6885/1	DIN 6885/3
60		24	32	35
100		32	42	45
150		40	45	-

## Headquarters

Chr. Mayr GmbH + Co. KG  
Eichenstraße 1, D-87665 Mauerstetten  
Tel.: +49 83 41/8 04-0, Fax: +49 83 41/80 44 21  
www.mayr.com, E-Mail: public.mayr@mayr.com



## Service Germany/Austria

### Baden-Württemberg

Esslinger Straße 7  
70771 Leinfelden-Echterdingen  
Tel.: 07 11/78 26 26 40  
Fax: 07 11/78 26 26 39

### Bavaria

Industriestraße 51  
82194 Gröbenzell  
Tel.: 0 81 42/50 19 808

### Chemnitz

Bornaer Straße 205  
09114 Chemnitz  
Tel.: 03 71/4 74 18 96  
Fax: 03 71/4 74 18 95

### Franken

Unterer Markt 9  
91217 Hersbruck  
Tel.: 0 91 51/81 48 64  
Fax: 0 91 51/81 62 45

### Kamen

Herbert-Wehner-Straße 2  
59174 Kamen  
Tel.: 0 23 07/24 26 79  
Fax: 0 23 07/24 26 74

### North

Schiefer Brink 8  
32699 Extertal  
Tel.: 0 57 54/9 20 77  
Fax: 0 57 54/9 20 78

### Rhine-Main

Kohlhäuser Str. 3-5  
36043 Fulda  
Tel.: 06 61/96 21 02 15

### Austria

Pummerinplatz 1, TIZ I, A27  
4490 St. Florian, Austria  
Tel.: 0 72 24/2 20 81-12  
Fax: 0 72 24/2 20 81 89

## Branch office

### China

Mayr Zhangjiagang  
Power Transmission Co., Ltd.  
Fuxin Road No.1298, Yangshe Town  
215637 Zhangjiagang  
Tel.: 05 12/58 91-75 67  
Fax: 05 12/58 91-75 66  
info@mayr-ptc.cn

### France

Mayr France S.A.S.  
Z.A.L. du Minopole  
Rue Nungesser et Coli  
62160 Bully-Les-Mines  
Tel.: 03.21.72.91.91  
Fax: 03.21.29.71.77  
contact@mayr.fr

### Great Britain

Mayr Transmissions Ltd.  
Valley Road, Business Park  
Keighley, BD21 4LZ  
West Yorkshire  
Tel.: 0 15 35/66 39 00  
Fax: 0 15 35/66 32 61  
sales@mayr.co.uk

### Italy

Mayr Italia S.r.l.  
Viale Veneto, 3  
35020 Saonara (PD)  
Tel.: 049/879 10 20  
Fax: 049/879 10 22  
info@mayr-italia.it

### Japan

Mayr Japan LLC  
2F, 1-1-9 Nihonbashi Kakigara-cho,  
Chuo-ku Tokyo, 103-0014 Japan  
Tel.: 03/35 27-29 00  
Fax: 03/35 27-26 61  
public.mayr@mayr.co.jp

### Singapore

Mayr Transmission (S) PTE Ltd.  
No. 8 Boon Lay Way Unit 03-06,  
TradeHub 21  
Singapore 609964  
Tel.: 00 65/65 60 12 30  
Fax: 00 65/65 60 10 00  
info@mayr.com.sg

### Switzerland

Mayr Kupplungen AG  
Tobeläckerstraße 11  
8212 Neuhausen am Rheinfall  
Tel.: 0 52/6 74 08 70  
Fax: 0 52/6 74 08 75  
info@mayr.ch

### USA

Mayr Corporation  
10 Industrial Avenue  
Mahwah  
NJ 07430  
Tel.: 2 01/4 45-72 10  
Fax: 2 01/4 45-80 19  
info@mayrcorp.com

## Representatives

### Australia

Drive Systems Pty Ltd.  
8/32 Melverton Drive  
Hallam, Victoria 3803  
Australien  
Tel.: 0 3/97 96 48 00  
info@drivesystems.com.au

### India

National Engineering  
Company (NENCO)  
J-225, M.I.D.C.  
Bhosari Pune 411026  
Tel.: 0 20/27 13 00 29  
Fax: 0 20/27 13 02 29  
nenco@nenco.org

### Netherlands

Groneman BV  
Amarilstraat 11  
7554 TV Hengelo OV  
Tel.: 074/2 55 11 40  
Fax: 074/2 55 11 09  
aandrijftechniek@groneman.nl

### Poland

Wamex Sp. z o.o.  
ul. Pozaryskiego, 28  
04-703 Warszawa  
Tel.: 0 22/6 15 90 80  
Fax: 0 22/8 15 61 80  
wamex@wamex.com.pl

### South Korea

Mayr Korea Co. Ltd.  
15, Yeondeok-ro 9beon-gil  
Seongsan-gu  
51571 Changwon-si  
Gyeongsangnam-do. Korea  
Tel.: 0 55/2 62-40 24  
Fax: 0 55/2 62-40 25  
info@mayrkorea.com

### Taiwan

German Tech  
Component Co., Ltd.  
No.10-3, Ln. 358, Sec. 1,  
Hemu Rd., Shengang Dist.,  
429012 Taichung City  
Tel.: +886 (4) 25150566  
Fax: +886 (4) 25152413  
abby@zfgta.com.tw

### Czech Republic

BMC - TECH s.r.o.  
Hviezdoslavova 29 b  
62700 Brno  
Tel.: 05/45 22 60 47  
Fax: 05/45 22 60 48  
info@bmc-tech.cz

### Turkey

Representative Office Turkey  
Kucukbakkalkoy Mah.  
Brandium Residence R2  
Blok D:254  
34750 Atasehir - Istanbul, Turkey  
Tel.: 02 16/2 32 20 44  
Fax: 02 16/5 04 41 72  
info@mayr.com.tr

## More representatives:

Belgium, Brazil, Canada, Colombia, Croatia, Denmark, Finland, Greece, Hongkong, Hungary, Indonesia, Israel, Luxembourg, Malaysia, Mexico, New Zealand, Norway, Philippines, Portugal, Romania, Russia, Slovakia, Slovenia, South Africa, Spain, Sweden, Thailand

You can find the complete contact details for the representative responsible for your area in the Contact section at [www.mayr.com](http://www.mayr.com)

