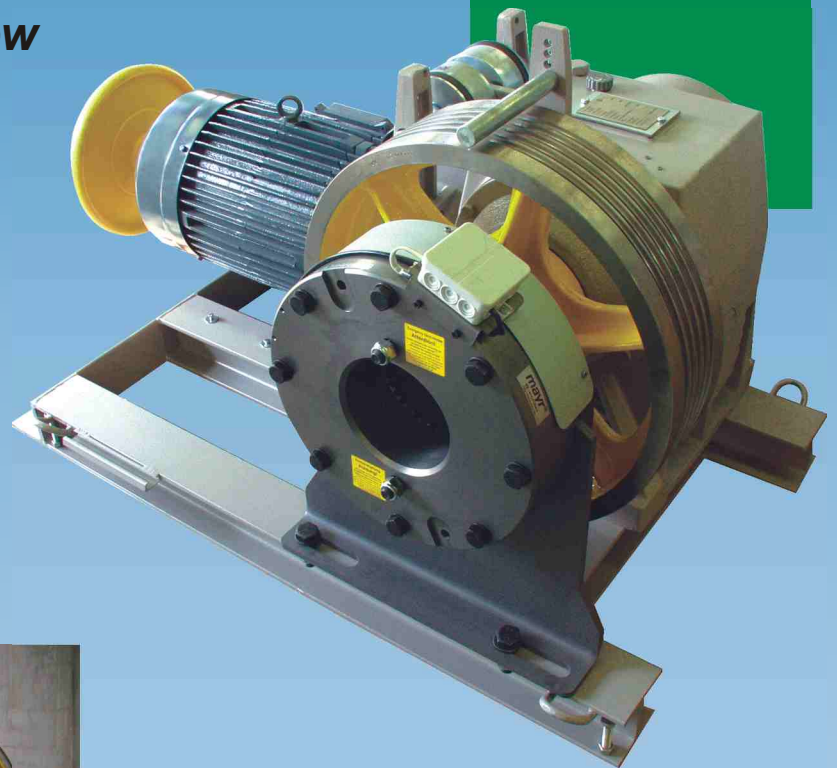


Retrofitting saves cost of replacing complete drive system!

Comply with new elevator codes



prior to fitting
ROBA-stop®-silenzio®



ROBA[®] -sheavestop

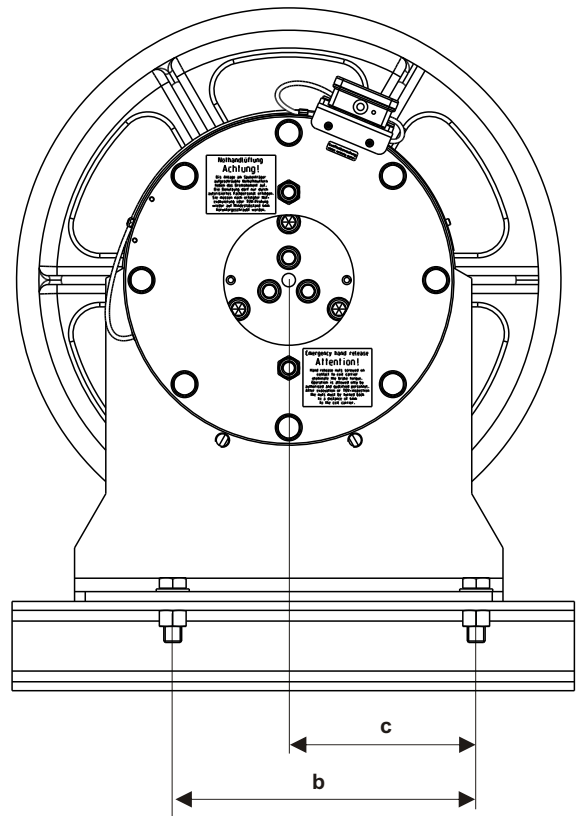
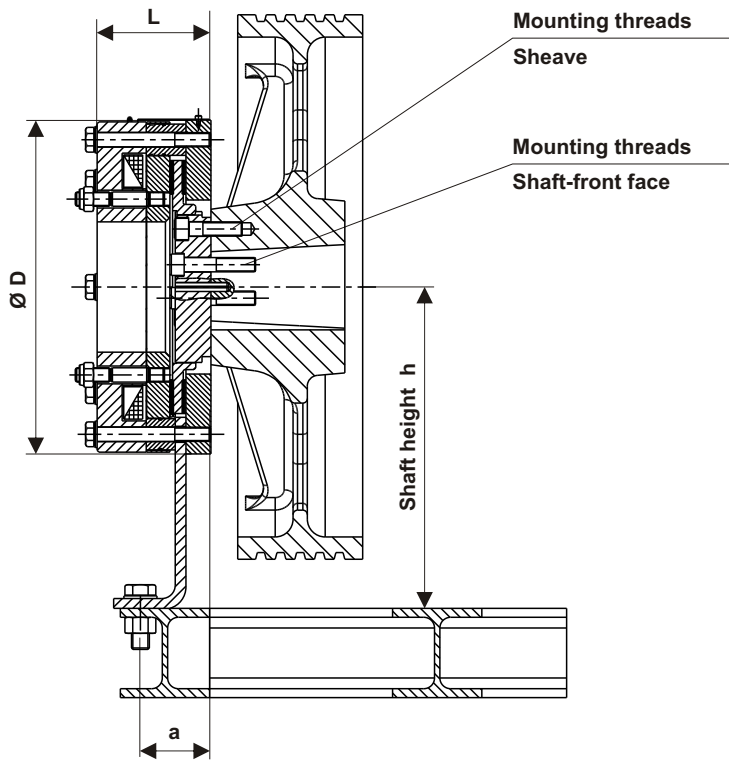
reliable sheave brake as protection against upward travel acc. to EN 81

- *easy retrofit*
- *cost saving mounting*
- *low noise brake*

www.mayr.de

M.896700.V00.GB

mayr[®]
your reliable partner



Size	Maximum braking torque ¹⁾ M [Nm]	Minimum required shaft height h _{min} [mm]	Outer-Ø of the brake Ø D [mm]	Length of the brake L [mm]
300	360	155	265	101
500	600	167	289	109
800	1000	194	333	119
1300	1560	214	374	128
1800	2150	245	420	128

¹⁾ Dependent on the mounting possibility to the sheave

We need the following drive-specific data from you (see above dimensional drawing) for an optimum adaptation of the brake system to your application:

Dimensions:

Shaft height h [mm]
 Distance a [mm]
 Distance b [mm]
 Distance c [mm]

Thread in shaft-front face:

Number of threads
 Thread-Ø
 Depth of thread [mm]
 Pitch circle-Ø [mm]

Thread in sheave:

Number of threads
 Thread-Ø
 Depth of thread [mm]
 Pitch circle-Ø [mm]